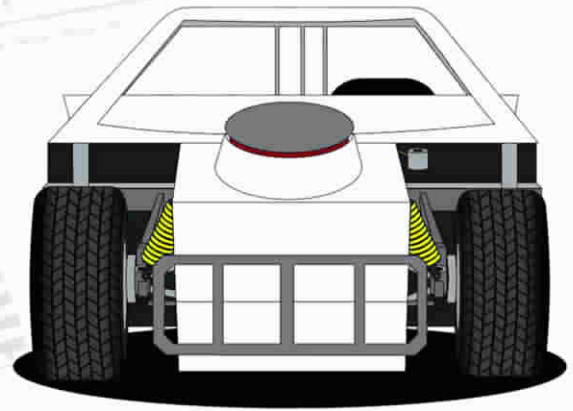
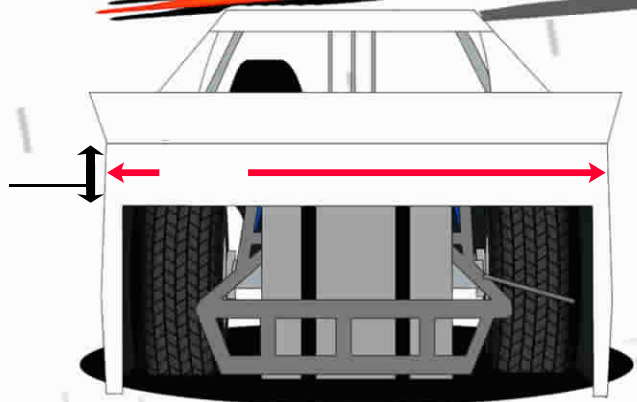
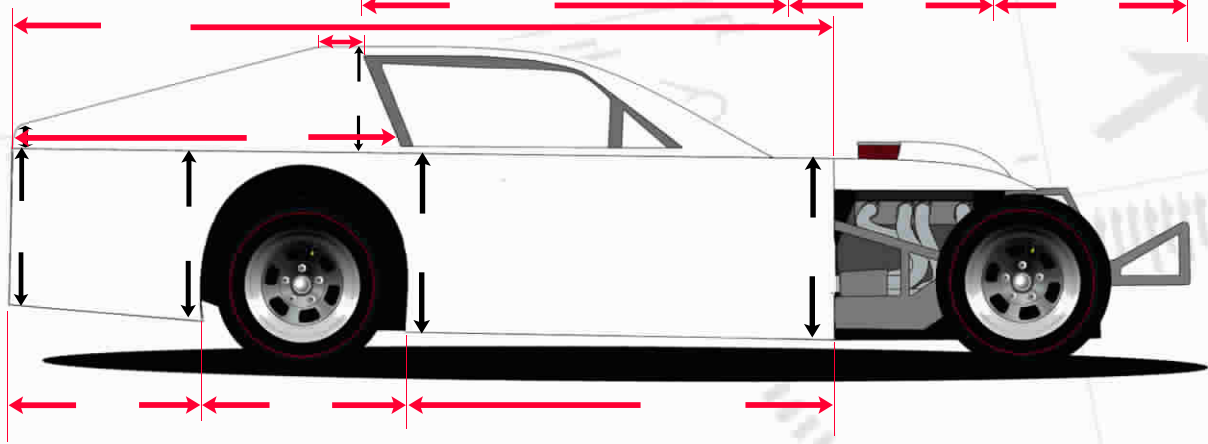
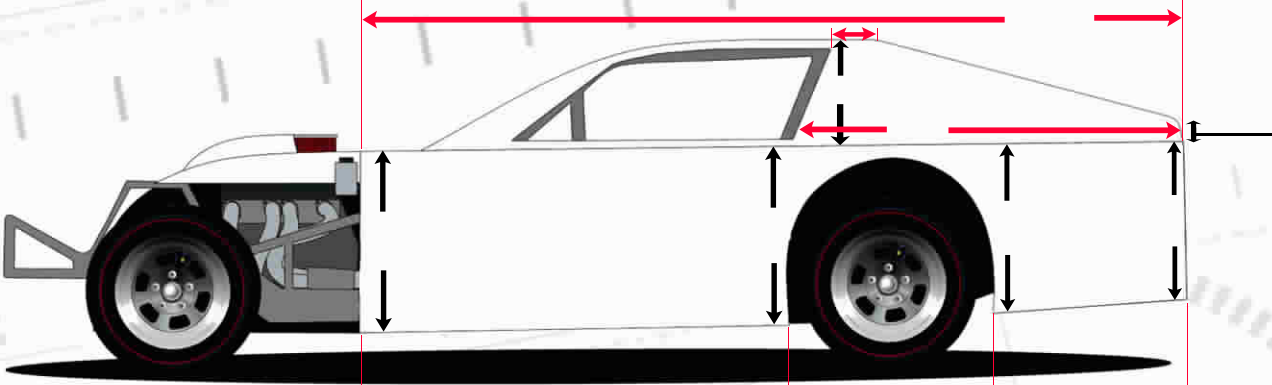
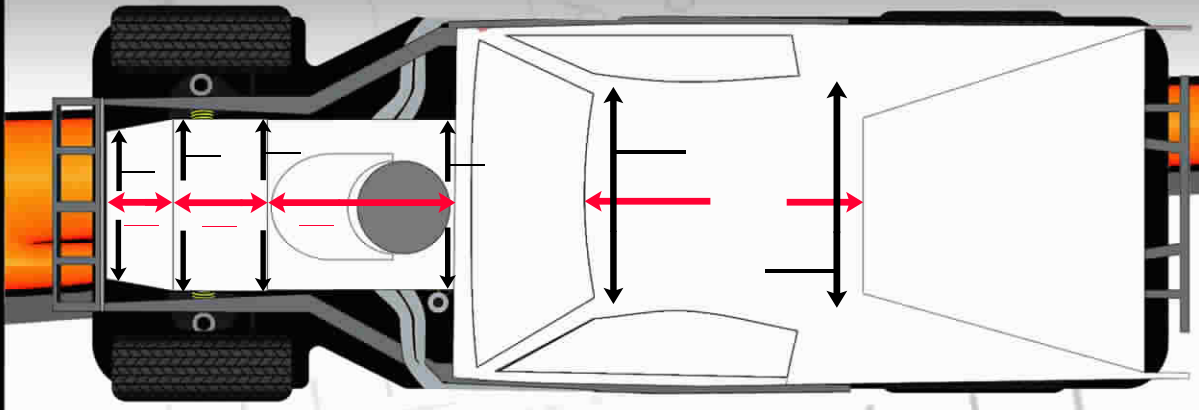


Design / Installation Template

CUSTOMER: _____
DATE: _____
ARTIST: _____
VERSION: _____



MODIFIED

Kustom Concepts
GRAPHICS & DESIGN
701-277-1675