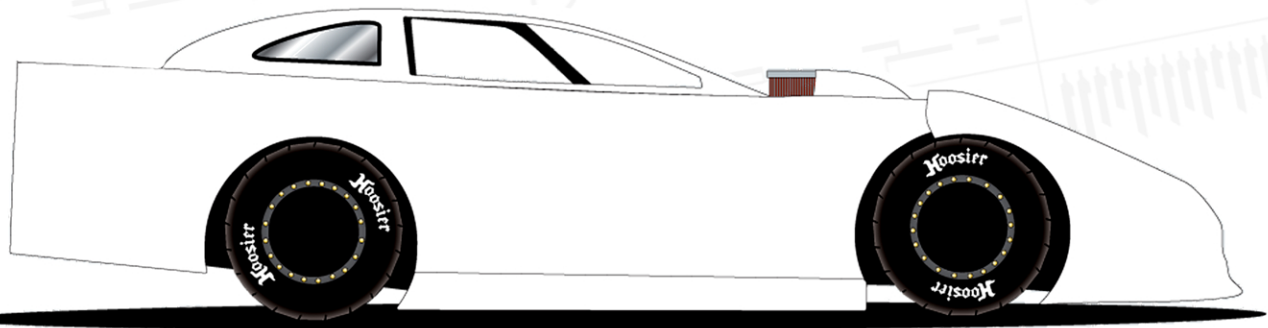
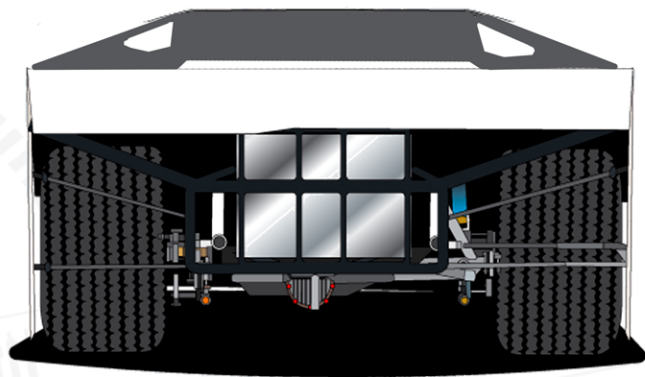
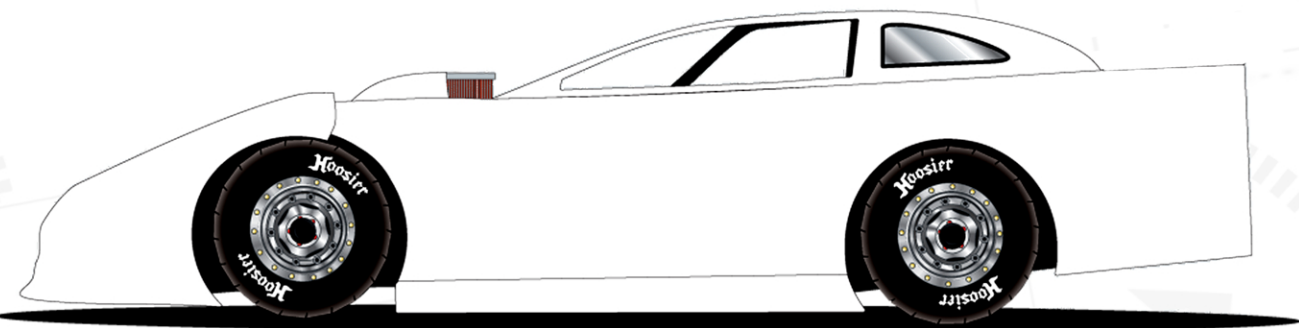
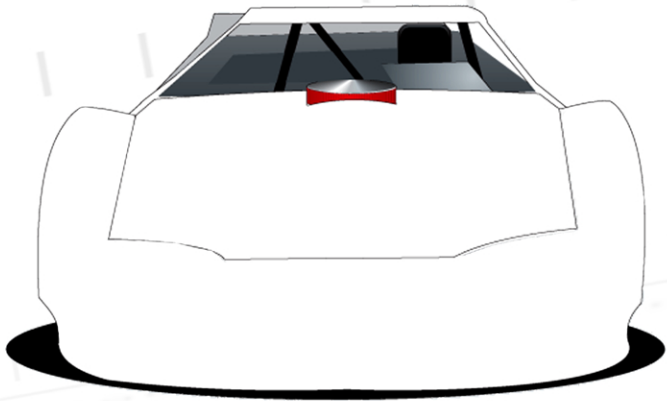
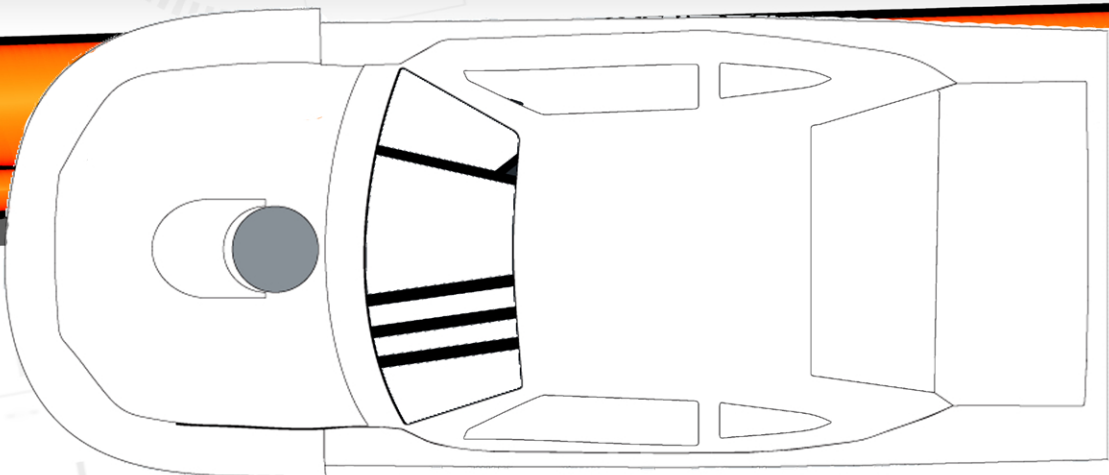


# Design / Installation Template

CUSTOMER: \_\_\_\_\_  
DATE: \_\_\_\_\_  
ARTIST: \_\_\_\_\_  
VERSION: \_\_\_\_\_



**SUPER**

**K**ustom  
**K**oncepts  
GRAPHICS & DESIGN  
701-277-1675